



Noise Absorbing Safety Pads

Bring peace and performance together with the revolutionary **AcoustiPad™**, a new standard in athletic facility padding.

Engineered to dramatically improve acoustics and aesthetics, our *Patent Pending* **AcoustiPad** system features a special 2" high-density foam core wrapped in a durable, synthetic open-mesh fabric that resists wear and tear while allowing sound to dissipate efficiently.

AcoustiPad is designed to perform as great as it looks, reducing sound echo by over 98%, and transforming loud, reverberant spaces into more comfortable, enjoyable environments for play and practice. It's perfect for pickleball, tennis, basketball, volleyball, and other indoor or covered sports facilities.



AcoustiPad™

Features & Benefits

- Patent-pending innovation
- 2" high-density foam core wrapped in open-mesh fabric
- Reduces sound echo by 98%
- Custom sizes & imprinting available
- Easy installation

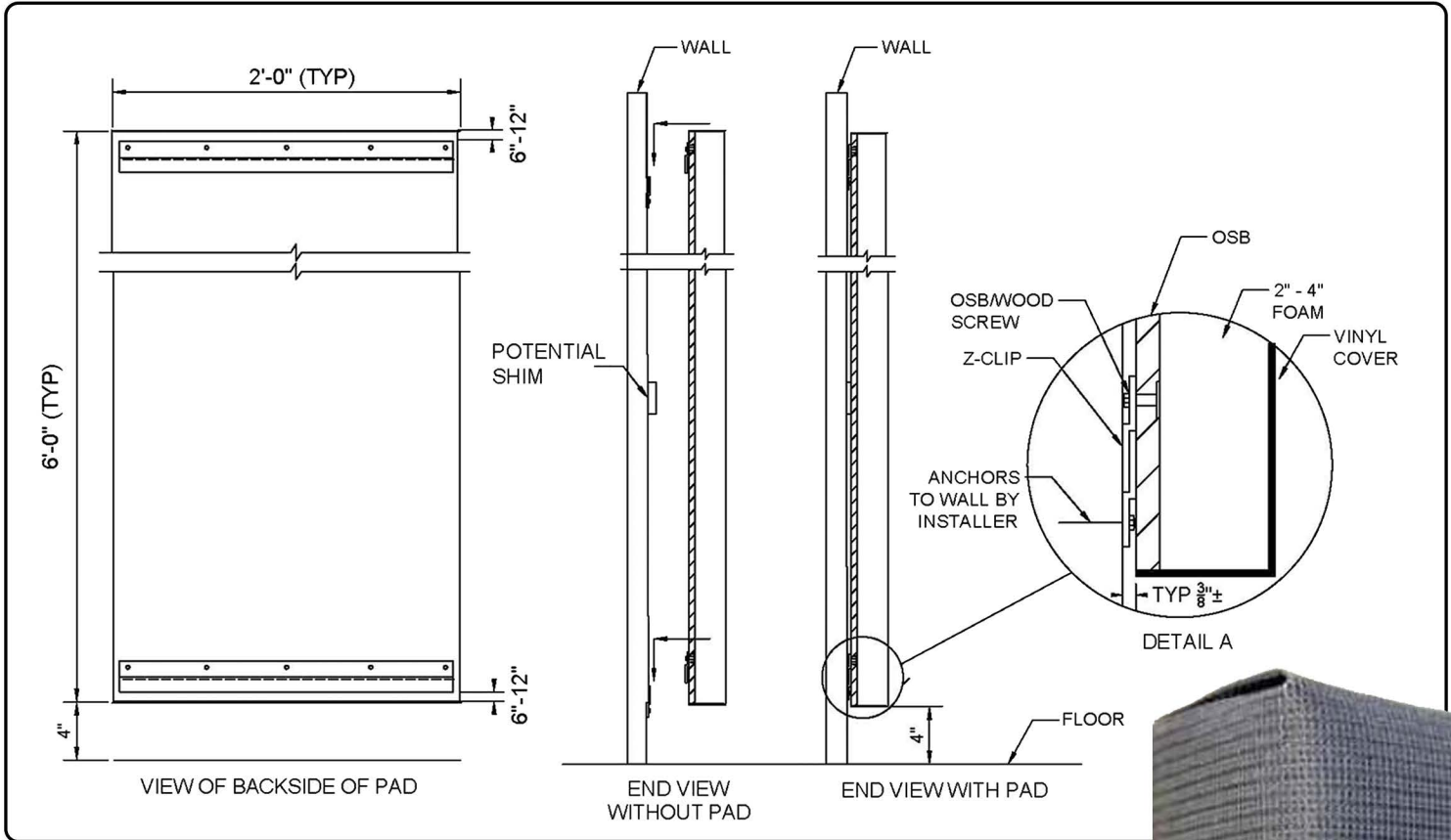
Material Tested	Insertion Loss (dBA)			Total Reflected Sound
	Level w/o Barrier	Level w/ Barrier	Net Loss	
AcoustiPad Mesh #1	83	61	22	1%
AcoustiPad Mesh #2	83	56	27	2%
1/2" Thick Glass Panel	91	65	26	83%
18 oz/sy Vinyl Covering	83	38	45	79%



AcoustiPad™ Installation



AcoustiPad™



With its unmatched acoustic performance, resilient construction, and clean, professional look, **AcoustiPad** is the perfect blend of protection, comfort, and innovation — making every game sound better.

AcoustiPad enhances both player experience and audience comfort.

"When designing our facility, sound abatement was just as important as surface quality, lighting, and fencing. AcoustiPad makes all the difference. It softens the sharp echoes of play, creating a more enjoyable and professional experience for everyone."

~ Chase Mason, General Manager, Let's Go Pickleball



puttermanathletics
equipping facilities since 1920

puttermanathletics.com

800-621-0146 • info@puttermanathletics.com

